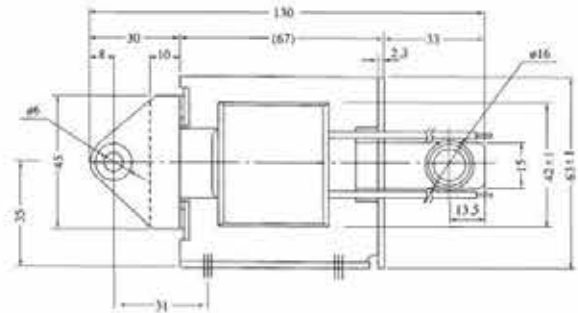
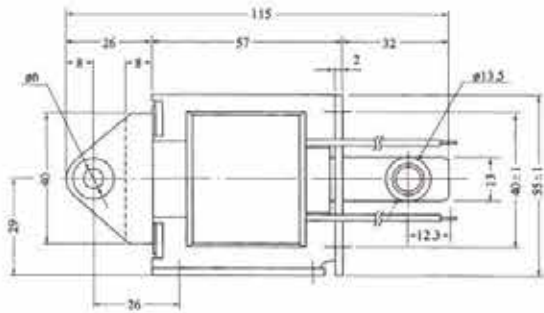
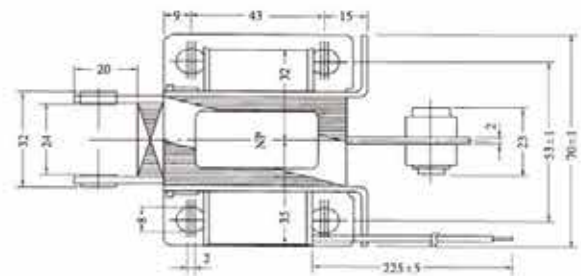
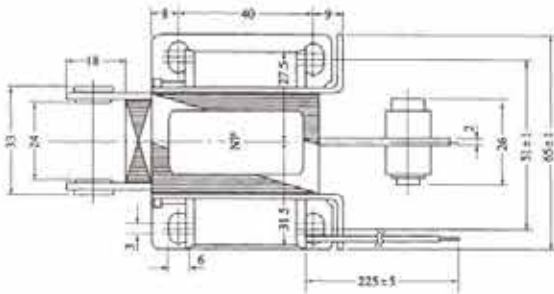




SH-ASS20 (TASS-20)

SH-AS20 (TAS-20)



電 壓	流入電流	維持電流	額定拉力/衝程
Voltage (AC)	Inrush Current	Holding Current	Rated Pull / Rated Stroke
110V	8.8A	0.76A	3.5 kg / 20 mm
220V	4.4A	0.38A	

電 壓	流入電流	維持電流	額定拉力/衝程
Voltage (AC)	Inrush Current	Holding Current	Rated Pull / Rated Stroke
110V	8.4A	0.74A	3 kg / 20 mm
220V	4.2A	0.37A	

